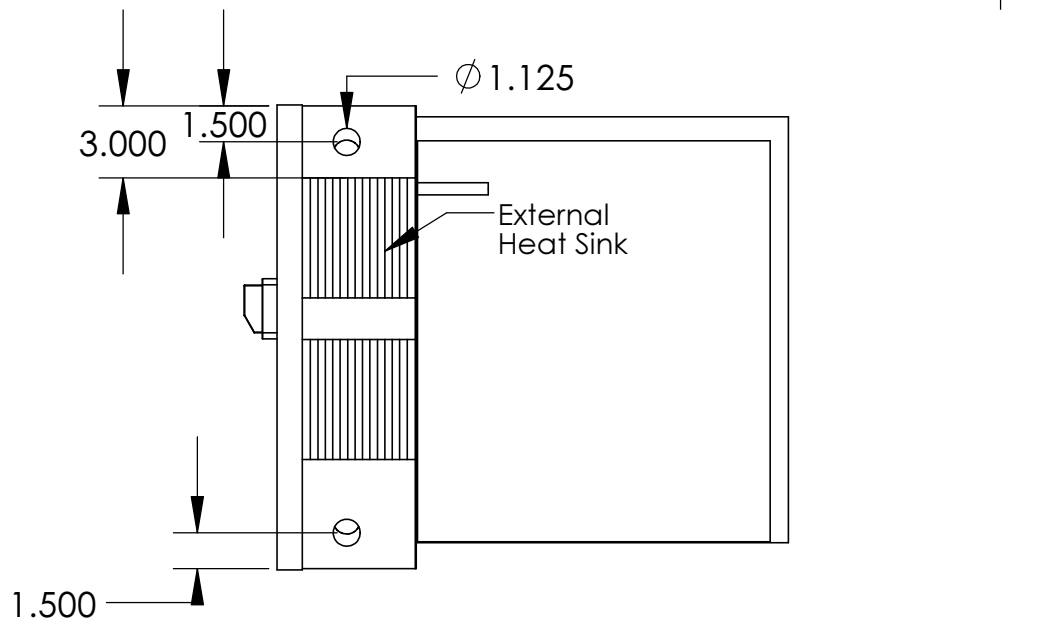
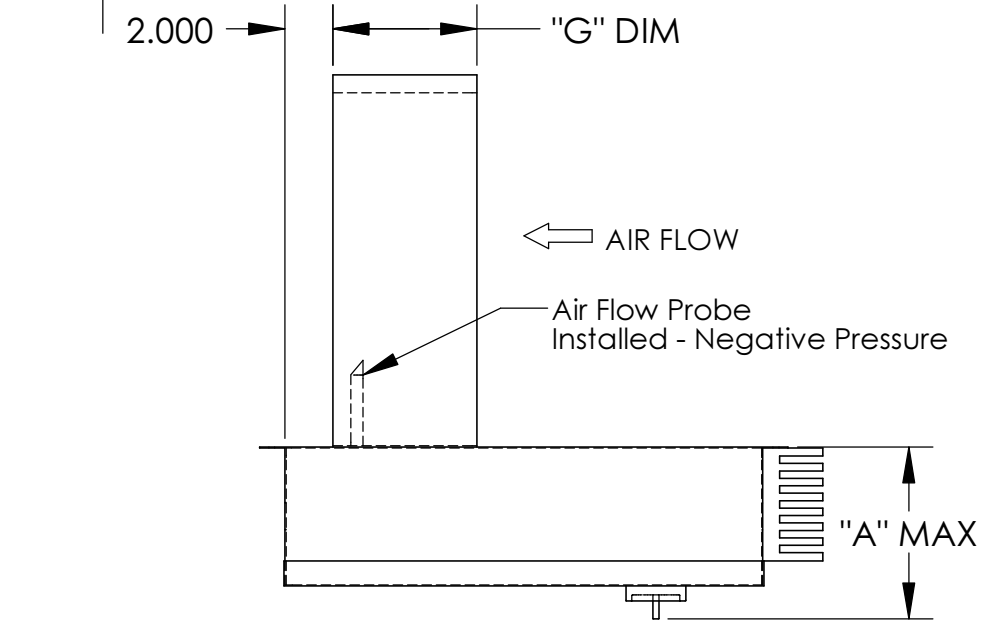
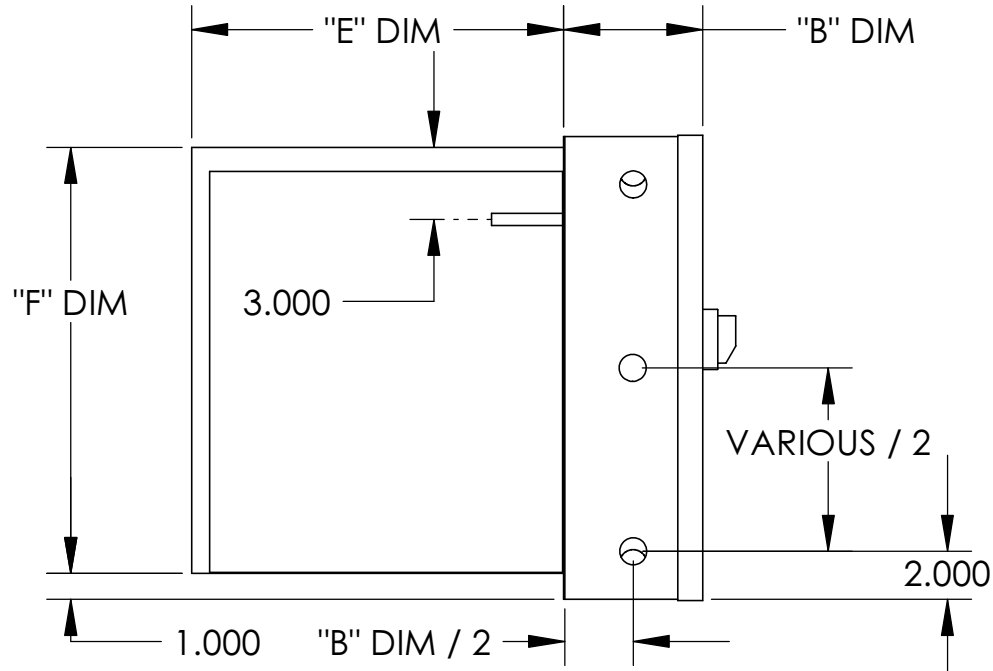
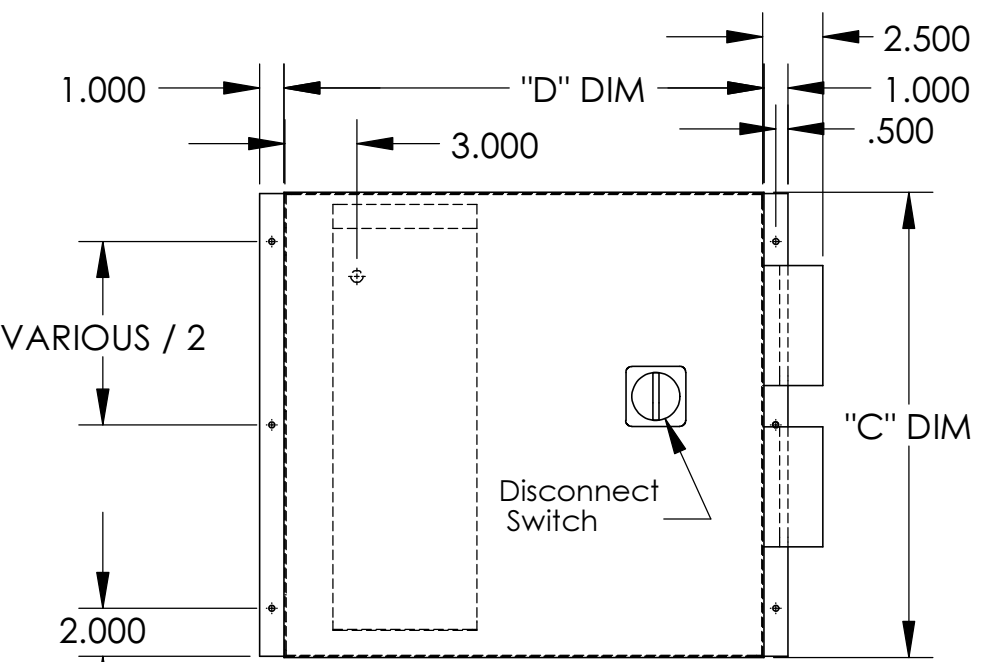


# Modulating Electric Coils

4/22/2014

#	Description	Revised by	ECN#	Date
0	Released to production	NIP	1140	12/12/07
1	EMC 1 & 3 "C" dims changed	NIP	1829	12/3/09
2	Added 7/8" knockouts	NIP	1903	2/19/10
3	Added New KW's	NIP	1985	5/5/10
4	Added Heat Sinks	JJH	2718	4/22/14



Material: N/A  
 Blank Size: N/A x N/A  
 Weight: N/A lbs

Part Number: See Above  
 MACOLA Number: See Above  
 Drawing Name: Modulating Electric Coils  
 Drawn By: NIP  
 Parent Assembly: Electric Heater  
 Sheet: 2 of 3

Unless Otherwise Specified  
 Dimensions are in Inches.  
 Standard Tolerances are:  
 Fractions:  $\pm 1/16$   
 Decimal:  $.XX \pm .05$   
 $.XXX \pm .015$   
 Angles:  $\pm 1^\circ$

**CONFIDENTIAL**

# Modulating Electric Coils

Item #	Part Number	KW	VAC-PH	AMPS	CTRL-V	A	Control Cabinet			Heating Element			Coil Area
							B	C	D	E	F	G	SQ.FT
1	EMC1-10KW2081	10	208-1	48	24	7.750	5.750	19.375	20.000	15.500	17.750	6.000	1.91
1	EMC1-20KW2081	20	208-1	97	24	7.750	5.750	19.375	20.000	15.500	17.750	6.000	1.91
1	EMC1-40KW2081	40	208-1	193	24	7.750	5.750	19.375	20.000	15.500	17.750	8.000	1.91

Item #	Part Number	KW	VAC-PH	AMPS	CTRL-V	A	Control Cabinet			Heating Element			Coil Area
							B	C	D	E	F	G	SQ.FT
1	EMC1-20KW2083	20	208-3	56	24	7.750	5.750	19.375	20.000	15.500	17.750	6.000	1.91
1	EMC1-36KW2083	36	208-3	101	24	7.750	5.750	19.375	20.000	15.500	17.750	8.000	1.91
2	EMC2-45KW2083	45	208-3	125	24	7.750	5.750	25.630	20.000	22.630	23.625	7.000	3.71
3	EMC3-52KW2083	52	208-3	145	24	7.750	5.750	31.375	20.000	29.500	29.625	5.000	6.07
3	EMC3-64KW2083	64	208-3	178	24	7.750	5.750	31.375	20.000	29.500	29.625	8.000	6.07
4	EMC4-97KW2083	97	208-3	269	24	9.750	7.750	37.625	33.000	33.500	35.625	6.000	8.29
5	EMC5-151KW2083	151	208-3	419	24	9.750	7.750	44.625	34.000	42.500	42.625	7.000	12.58

Item #	Part Number	KW	VAC-PH	AMPS	CTRL-V	A	Control Cabinet			Heating Element			Coil Area
							B	C	D	E	F	G	SQ.FT
1	EMC1-20KW4603	20	460-3	26	24	7.750	5.750	19.375	20.000	15.500	17.750	9.000	1.91
1	EMC1-35KW4603	35	460-3	42	24	7.750	5.750	19.375	20.000	15.500	17.750	9.000	1.91
1	EMC1-50KW4603	50	460-3	62	24	7.750	5.750	19.375	20.000	15.500	17.750	9.000	1.91
1	EMC1-72KW4603	72	460-3	91	24	7.750	5.750	19.375	20.000	15.500	17.750	10.000	1.91
2	EMC2-73KW4603	73	460-3	92	24	7.750	5.750	25.630	20.000	22.630	23.625	6.000	3.71
2	EMC2-100KW4603	100	460-3	126	24	7.750	5.750	25.630	20.000	22.630	23.625	10.000	3.71
3	EMC3-122KW4603	122	460-3	154	24	7.750	5.750	31.375	20.000	29.500	29.625	7.000	6.07
3	EMC3-143KW4603	143	460-3	180	24	7.750	5.750	31.375	20.000	29.500	29.625	10.000	6.07
4	EMC4-168KW4603	168	460-3	212	24	9.750	7.750	37.630	33.000	33.500	35.625	12.000	8.29
4	EMC4-214KW4603	214	460-3	269	24	9.750	7.750	37.630	33.000	33.500	35.625	10.000	8.29
5	EMC5-257KW4603	257	460-3	323	24	9.750	7.750	44.630	34.000	42.500	42.625	9.000	12.58
5	EMC5-334KW4603	334	460-3	420	24	9.750	7.750	44.630	34.000	42.500	42.625	10.000	12.58

Item #	Part Number	KW	VAC-PH	AMPS	CTRL-V	A	Control Cabinet			Heating Element			Coil Area
							B	C	D	E	F	G	SQ.FT
1	EMC1-35KW5753	35	575-3	36	24	7.750	5.750	19.375	20.000	15.500	17.750	9.000	1.91
1	EMC1-79KW5753	79	575-3	80	24	7.750	5.750	19.375	20.000	15.500	17.750	10.000	1.91
2	EMC2-73KW5753	73	575-3	74	24	7.750	5.750	25.630	20.000	22.630	23.625	7.000	3.71
2	EMC2-119KW5753	119	575-3	120	24	7.750	5.750	25.630	20.000	22.630	23.625	10.000	3.71
3	EMC3-122KW5753	122	575-3	123	24	7.750	5.750	31.375	20.000	29.500	29.625	7.000	6.07
3	EMC3-175KW5753	175	575-3	176	24	7.750	5.750	31.375	20.000	29.500	29.625	10.000	6.07
4	EMC4-168KW5753	168	575-3	169	24	9.750	7.750	37.630	33.000	33.500	35.625	9.000	8.29
4	EMC4-268KW5753	268	575-3	269	24	9.750	7.750	37.630	33.000	33.500	35.625	10.000	8.29
5	EMC5-257KW5753	257	575-3	259	24	9.750	7.750	44.630	34.000	42.500	42.625	10.000	12.58
5	EMC5-415KW5753	415	575-3	418	24	9.750	7.750	44.630	34.000	42.500	42.625	10.000	12.58